

# Omega WK

60% DC

TIG-AC/DC

TIG- Pulse

MMA

Low Noise Pulse!  
DC Pulse 2000 Hz  
AC with Rectangular / Tapered / Sinus  
Jobmode with 10 Programs



TIG Inverter

**MAHE**  
Mahe in Germany

## Processes

TIG-AC (50-200 Hz)  
TIG-AC Pulse (0,1-5 Hz)  
TIG-DC Pulse (0,1-5 Hz)  
TIG-DC HF Pulse (50-2000 Hz)  
MIX-PULSE  
MMA welding

## Recommended base metals

Structural steels  
Cu-materials  
CrNi steels  
Duplex steels  
Nickel-based materials  
Aluminium materials

## Recommended areas of use

Chemical plant construction  
Steel construction  
Maintenance & Repair  
Machine construction  
Pipeline construction

## Standard equipment

HF / Liftarc Ignition  
slope up / slope down  
Pre gas / Post gas  
Arc force + Pulse Arc force  
Hot Start  
Antistick function  
S-mark, CE-mark  
Thermal protection

Generator-compatible\*\*  
Digital Display  
Pulse  
Minimal Current from 4A  
Remote control  
Mix-Tig Function  
JOB store facility  
AC Balance

## Options

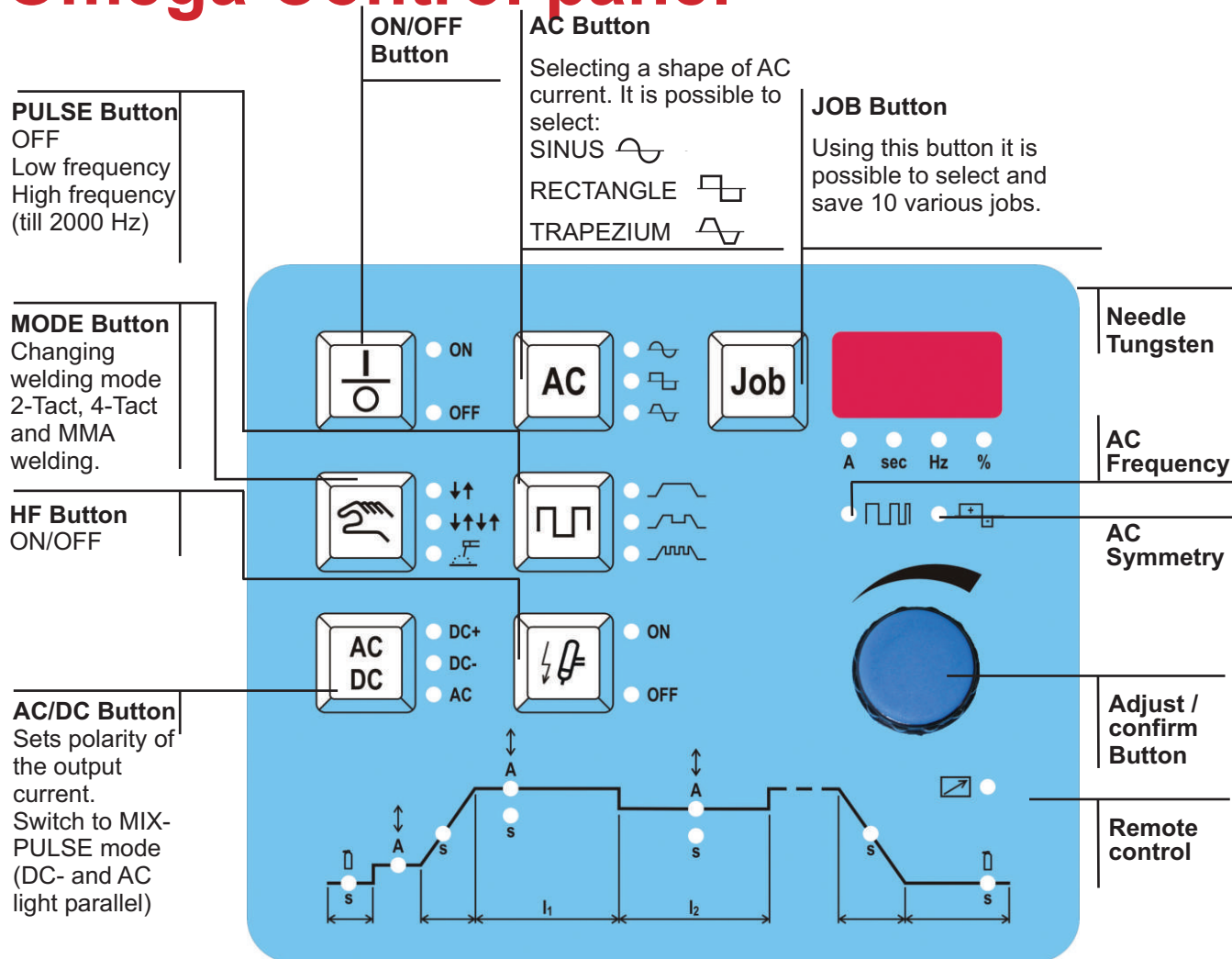
Remote control  
Foot remote control  
Accessories-Set (TIG-torch, reducing valve, earth cable)  
TIG-DC HF Pulse (50-2000 Hz)  
Water cooler WK400 (Omega 210)

Omega	210WK	300WK	420WK	600WK
Art.Nr.	1601210230	1600300400	1600420400	1600600400
(VAC) (Hz) (kVA)	230 50/60 7,3	230 50/60 4,9	400 50/60 16	400 50/60 11,3
	T16	T16	3xT20	3xT20
(A) ED / DC * (%) (V)	210 60 42	210 100 58	300 60 43	300 100 69
	420 60 43	420 100 104	600 60 43	600 100 104
(A) ED / DC * (%) (V)	150 60 42	210 60 58	300 60 43	300 60 59
	420 60 43	420 60 104	600 60 43	600 100 104
(mm)	920x350x740	920x350x740	920x350x740	920x350x740
(kg)	53,2	55,2	55,2	55,2

\* EN 60974.1 (10 min. 40 °C)

\*\* Generator achievement = capacity x 2



# Omega Control panel



TIG Inverter

**MAHE**  
Made in Germany

## Accessories

	Art.Nr.	Description	
TIG Set	2116026400	TIG-SET 3 / 190 - 240A gas cooled, 4m	
	2116026800	TIG-SET 4 / 190 - 240A gas cooled, 8m	
	2116018400	TIG-SET 5 / 240-300A watter cooled, 4m	
	2116018800	TIG-SET 6 / 240-300A watter cooled, 8m	
	2116020400	TIG-SET 7 / 190 - 240A watter cooled, 4m	
	2116020800	TIG-SET 8 / 190 - 240A watter cooled, 8m	
	2116018401	TIG-SET 9 Up/Down-Function / 240-300A watter cooled, 4m	
	2116018801	TIG-SET 10 Up/Down-Function / 240-300A watter cooled, 8m	
	2116018402	TIG-SET 11 Up/Down-Function / 240-400A watter cooled, 4m	
	2116018802	TIG-SET 12 Up/Down-Function / 240-400A watter cooled, 8m	
	Remote control	<b>Remote control for Delta, Beta and Omega 400V.</b>	
			2000100101
		2000100102	RC 5 Remote control with 20m cable
<b>Foot remote control for Delta, Beta and Omega 400V.</b>			
		2000101202	FRC 5 Foot remote control with 10m cable
		2000101203	FRC 5 Foot remote control with 20m cable