

Omega WK

60% DC

TIG-AC/DC

TIG- Pulse

MMA

Low Noise Pulse!
DC Pulse 2000 Hz
AC with Rectangular / Tapered / Sinus
Jobmode with 10 Programs



TIG Inverter

MAHE
Mahe in Germany

Processes

TIG-AC (50-200 Hz)
TIG-AC Pulse (0,1-5 Hz)
TIG-DC Pulse (0,1-5 Hz)
TIG-DC HF Pulse (50-2000 Hz)
MIX-PULSE
MMA welding

Recommended base metals

Structural steels
Cu-materials
CrNi steels
Duplex steels
Nickel-based materials
Aluminium materials

Recommended areas of use

Chemical plant construction
Steel construction
Maintenance & Repair
Machine construction
Pipeline construction

Standard equipment

HF / Liftarc Ignition
slope up / slope down
Pre gas / Post gas
Arc force + Pulse Arc force
Hot Start
Antistick function
S-mark, CE-mark
Thermal protection

Generator-compatible**
Digital Display
Pulse
Minimal Current from 4A
Remote control
Mix-Tig Function
JOB store facility
AC Balance

Options

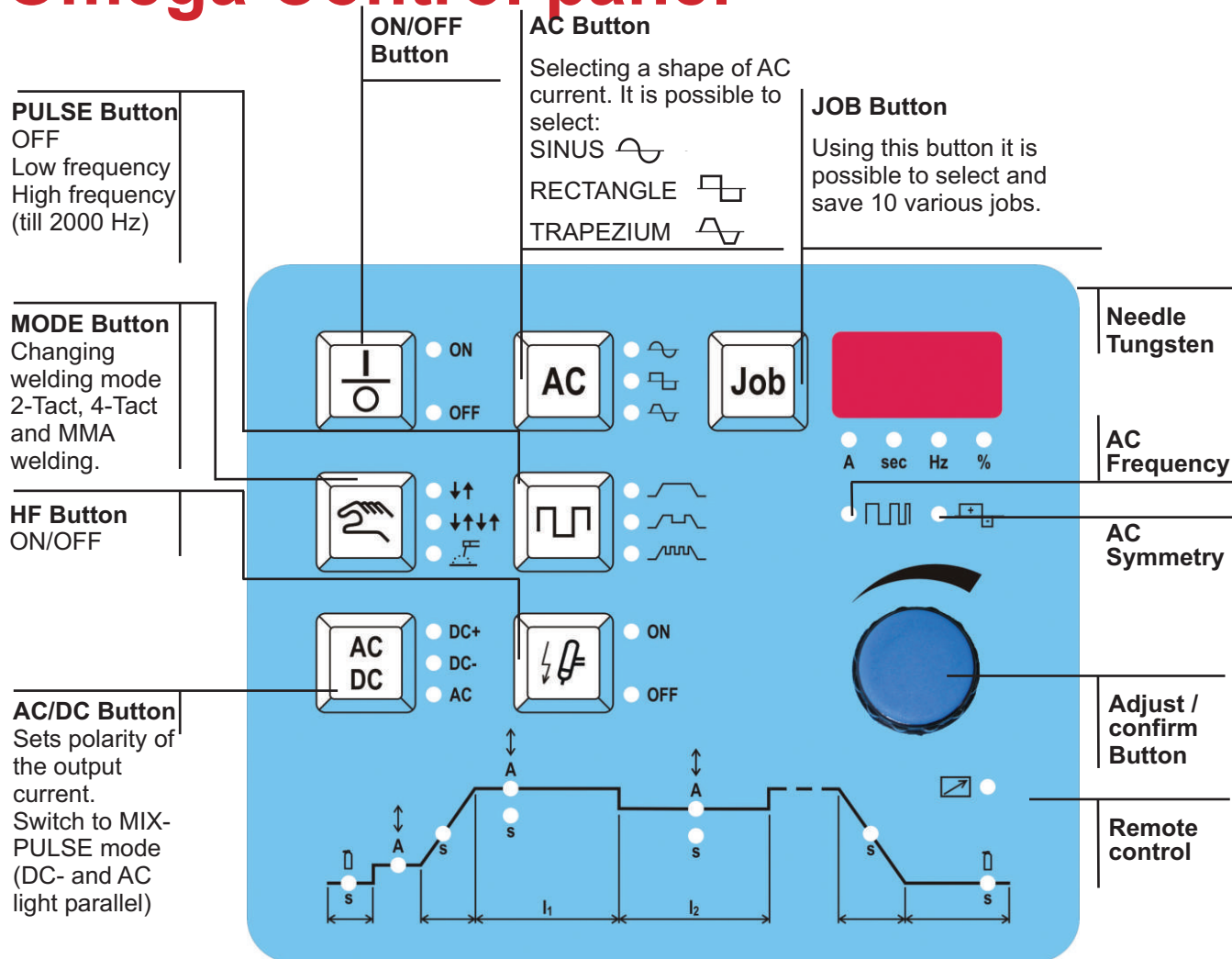
Remote control
Foot remote control
Accessories-Set (TIG-torch, reducing valve, earth cable)
TIG-DC HF Pulse (50-2000 Hz)
Water cooler WK400 (Omega 210)

Omega	210WK	300WK	420WK	600WK
Art.Nr.	1601210230	1600300400	1600420400	1600600400
U_i (VAC) (Hz) (kVA)	MMA	TIG	MMA	TIG
	230	230	400	400
U_0 (V)	50/60	50/60	50/60	50/60
	7,3	4,9	16	11,3
(A) ED / DC * (%)	T16	T16	3xT20	3xT20
	210	210	300	300
(A) ED / DC * (%)	42	58	43	69
	60	100	60	100
(A) ED / DC * (%)	42	58	43	59
	60	60	60	60
(mm) (kg)	42	58	43	104
	920x350x740	920x350x740	920x350x740	920x350x740
	53,2	55,2	55,2	55,2

* EN 60974.1 (10 min. 40 °C)

** Generator achievement = capacity x 2

Omega Control panel



TIG Inverter

MAHE
Made in Germany

Accessories

	Art.Nr.	Description	
TIG Set	2116026400	TIG-SET 3 / 190 - 240A gas cooled, 4m	
	2116026800	TIG-SET 4 / 190 - 240A gas cooled, 8m	
	2116018400	TIG-SET 5 / 240-300A watter cooled, 4m	
	2116018800	TIG-SET 6 / 240-300A watter cooled, 8m	
	2116020400	TIG-SET 7 / 190 - 240A watter cooled, 4m	
	2116020800	TIG-SET 8 / 190 - 240A watter cooled, 8m	
	2116018401	TIG-SET 9 Up/Down-Function / 240-300A watter cooled, 4m	
	2116018801	TIG-SET 10 Up/Down-Function / 240-300A watter cooled, 8m	
	2116018402	TIG-SET 11 Up/Down-Function / 240-400A watter cooled, 4m	
	2116018802	TIG-SET 12 Up/Down-Function / 240-400A watter cooled, 8m	
	Remote control	Remote control for Delta, Beta and Omega 400V.	
			2000100101
2000100102			RC 5 Remote control with 20m cable
Foot remote control for Delta, Beta and Omega 400V.			
		2000101202	FRC 5 Foot remote control with 10m cable
		2000101203	FRC 5 Foot remote control with 20m cable